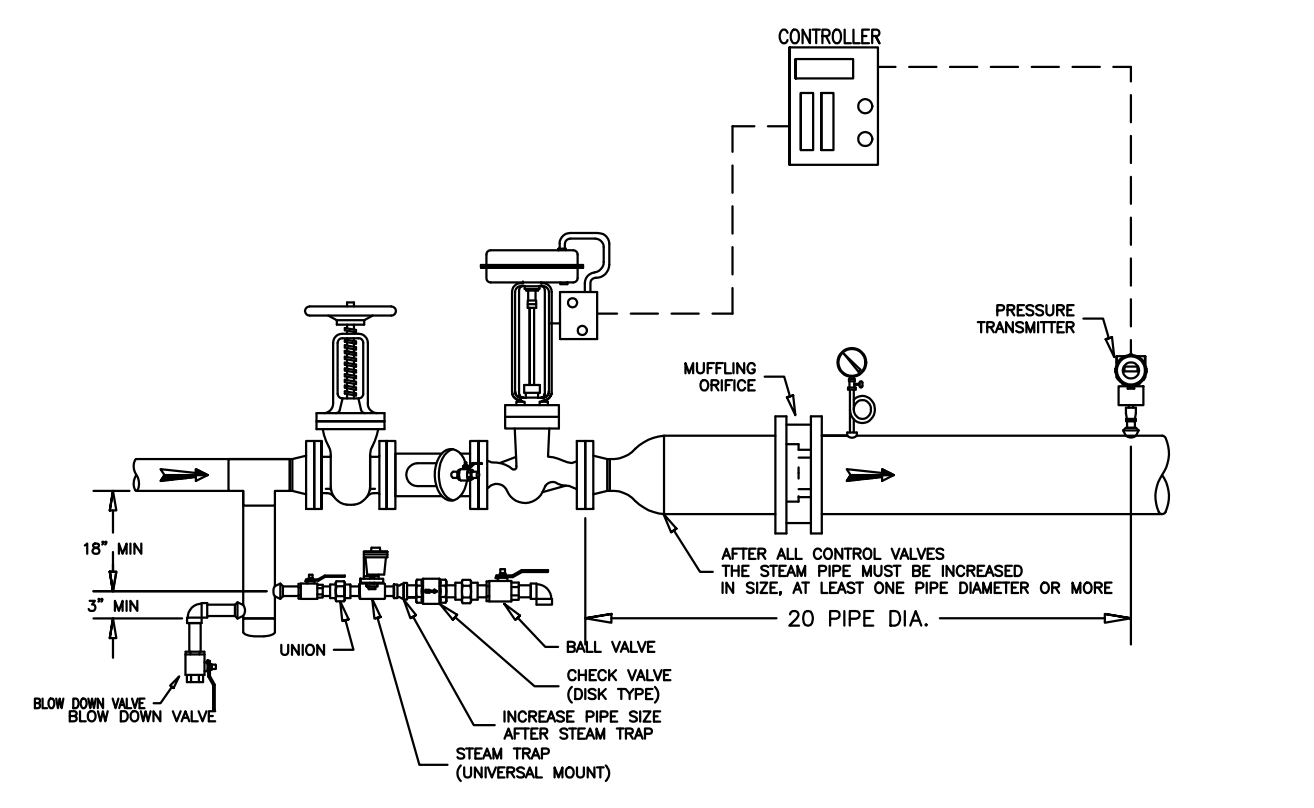
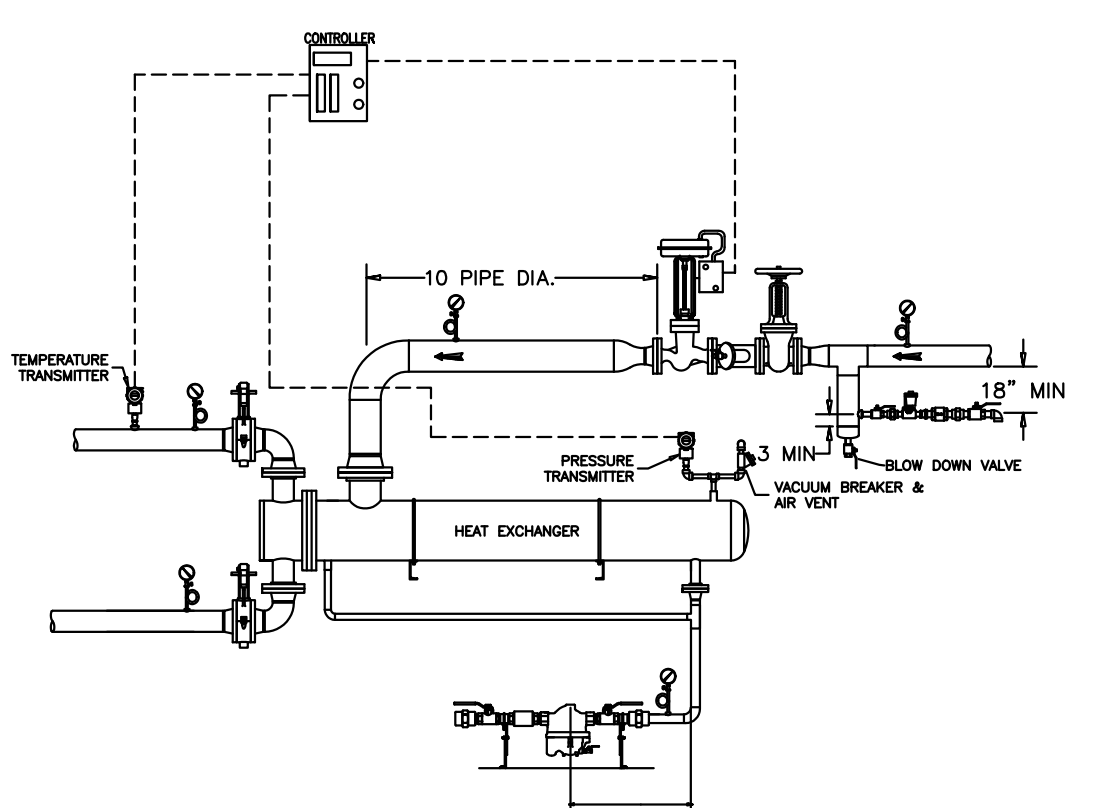


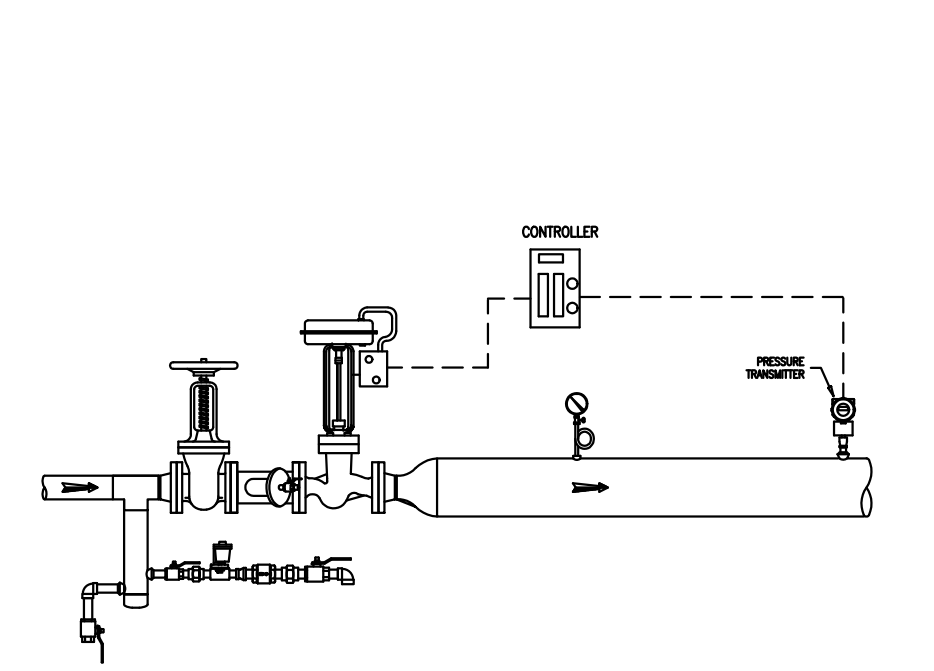
		Flash Steam Table												
Initial Steam Press., psig	Sat. Temp., F.	Flash-Tank pressure - psig												
		0	5	10	20	30	40	50	75	100	125	150		
25	267	5.7	3.0	3.0	1.0	0	0	0	0	0	0	0	0	0
50	298	9.0	6.2	6.2	4.3	2.6	1.0	0	0	0	0	0	0	0
75	320	11.3	8.6	8.6	6.7	5.0	3.7	2.5	0	0	0	0	0	0
100	338	13.3	10.8	10.6	8.7	7.0	5.7	4.6	2.2	0	0	0	0	0
125	353	14.8	12.2	12.2	10.3	8.7	7.4	6.3	3.8	1.7	0	0	0	0
150	366	16.8	13.7	13.7	11.8	10.2	8.8	7.8	5.4	3.3	1.6	0	0	0
175	377	17.4	15.0	15.0	13.0	11.6	10.0	9.0	6.7	4.6	3.0	1.5	0	0
200	388	18.7	16.2	16.2	14.4	12.8	11.5	10.4	8.0	6.0	4.4	2.8	0	0
225	397	19.7	17.0	17.0	15.4	13.8	12.4	11.4	9.0	7.0	5.4	3.8	0	0
250	406	20.7	18.2	18.2	16.4	15.0	13.6	12.5	10.0	8.2	6.6	5.0	0	0
300	422	22.4	20.0	20.0	18.2	16.7	15.5	14.4	11.0	10.0	8.5	7.0	0	0
350	436	24.0	21.6	21.6	20.0	18.4	17.0	16.0	13.8	12.0	10.4	8.9	0	0
400	448	25.5	23.0	23.0	21.5	20.0	18.7	17.7	15.6	13.5	12.0	10.5	0	0
450	459	26.8	24.4	24.4	22.7	21.2	20.0	19.0	16.8	15.0	13.4	12.0	0	0
500	470	28.2	25.7	25.7	24.0	22.6	21.4	20.4	18.2	16.4	14.6	13.4	0	0
550	480	29.2	27.0	27.0	25.3	23.7	22.6	21.6	19.5	17.5	16.0	14.7	0	0
600	488	30.2	28.0	28.0	26.4	25.0	23.6	22.7	20.5	18.7	17.3	16.0	0	0



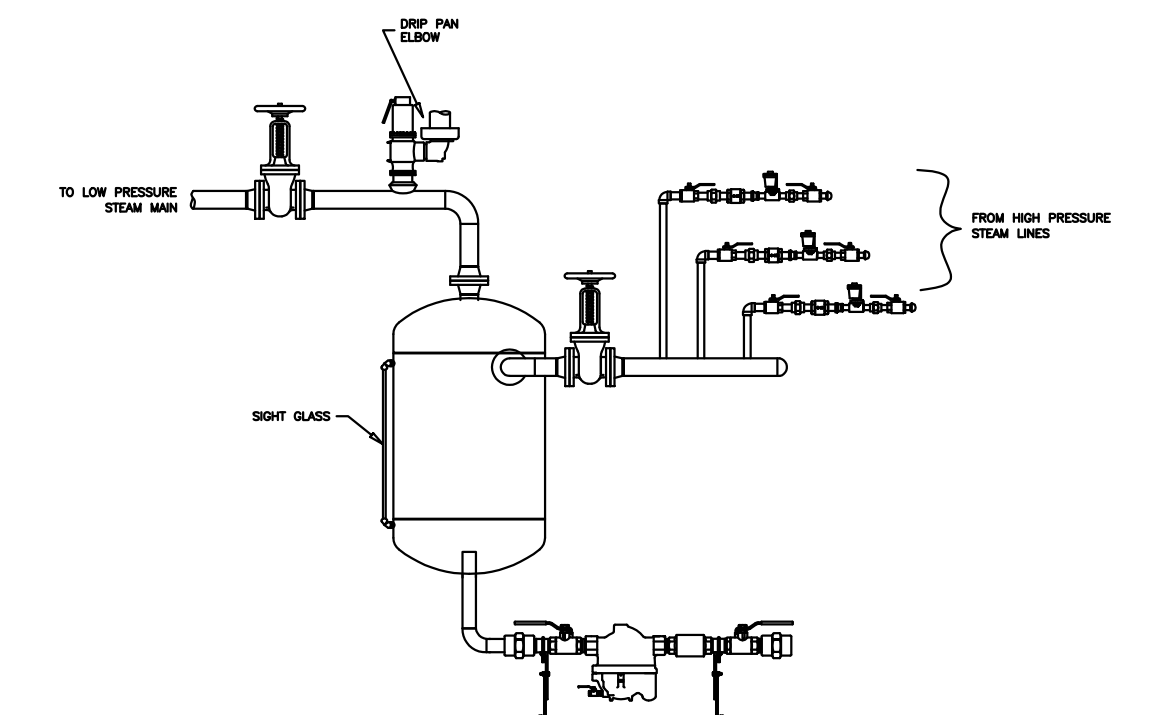
PRV - CONTROL VALVE W/ ORIFICE PLATE
SCALE: NONE



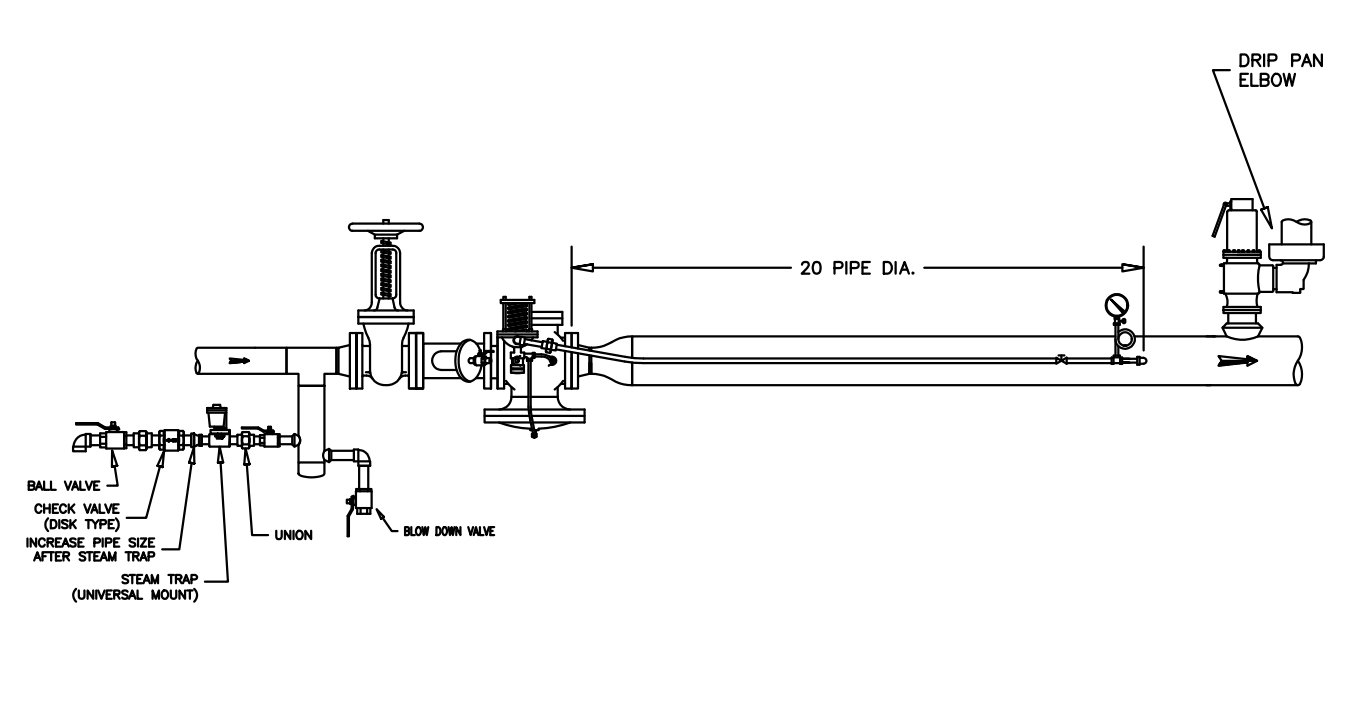
HEAT EXCHANGER DETAIL
SCALE: NONE



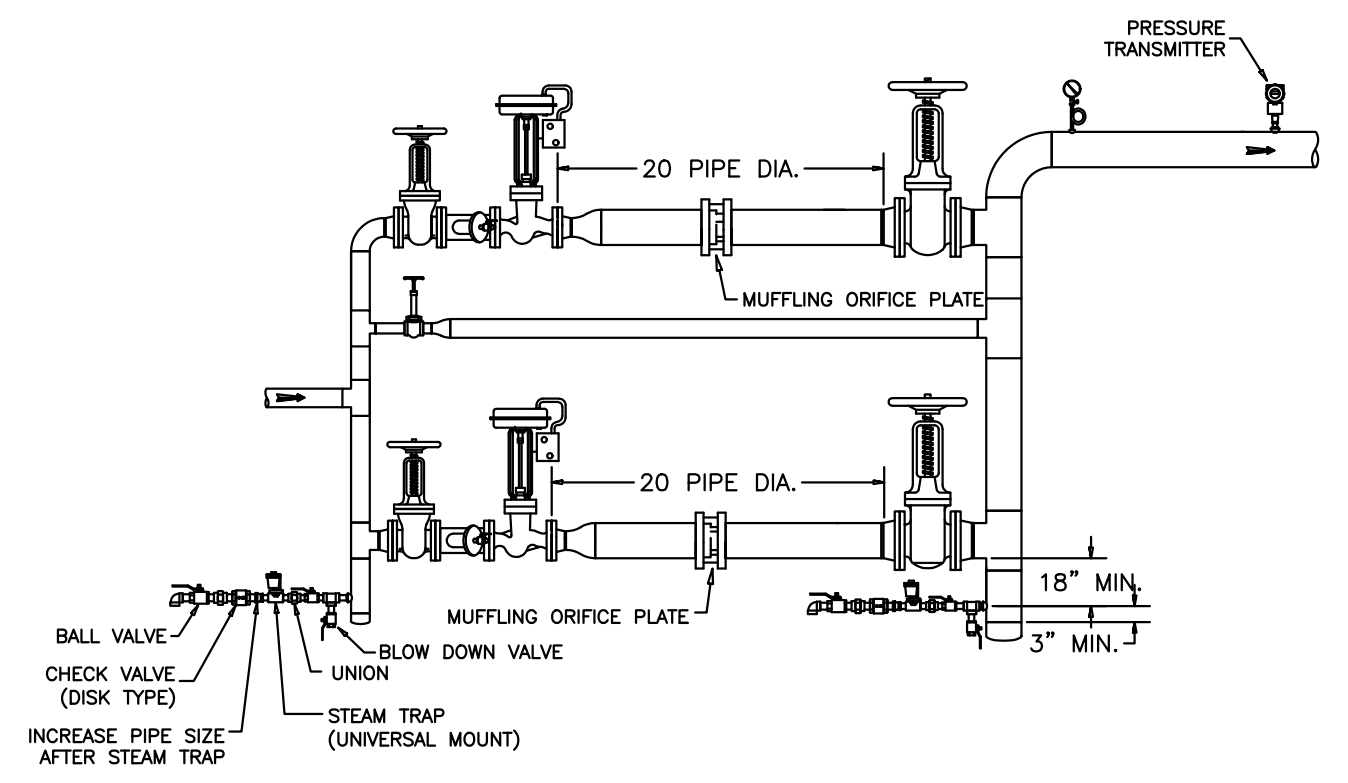
PRV - CONTROL VALVE SYSTEM
SCALE: NONE



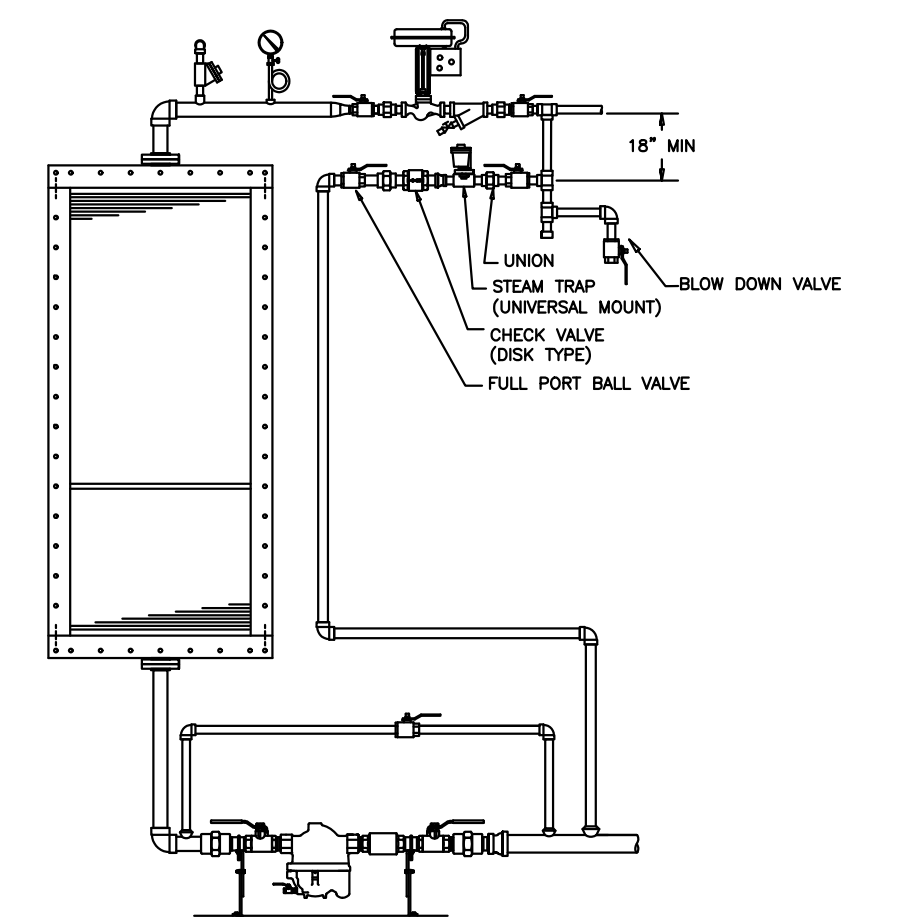
FLASH TANK STEAM RECOVERY DETAIL
SCALE: NONE



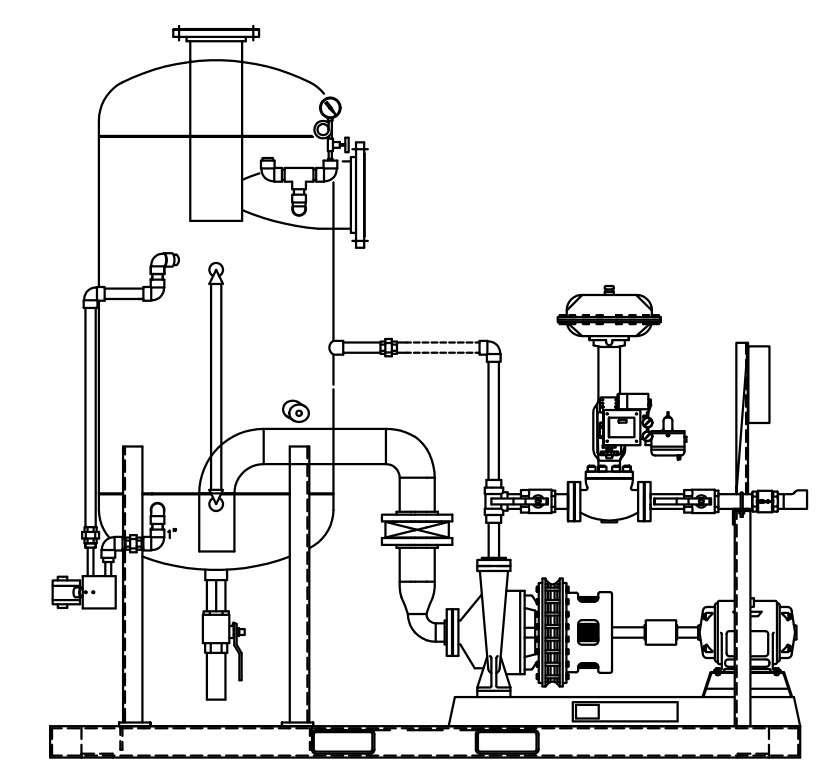
PRV - SINGLE STAGE SYSTEM
SCALE: NONE



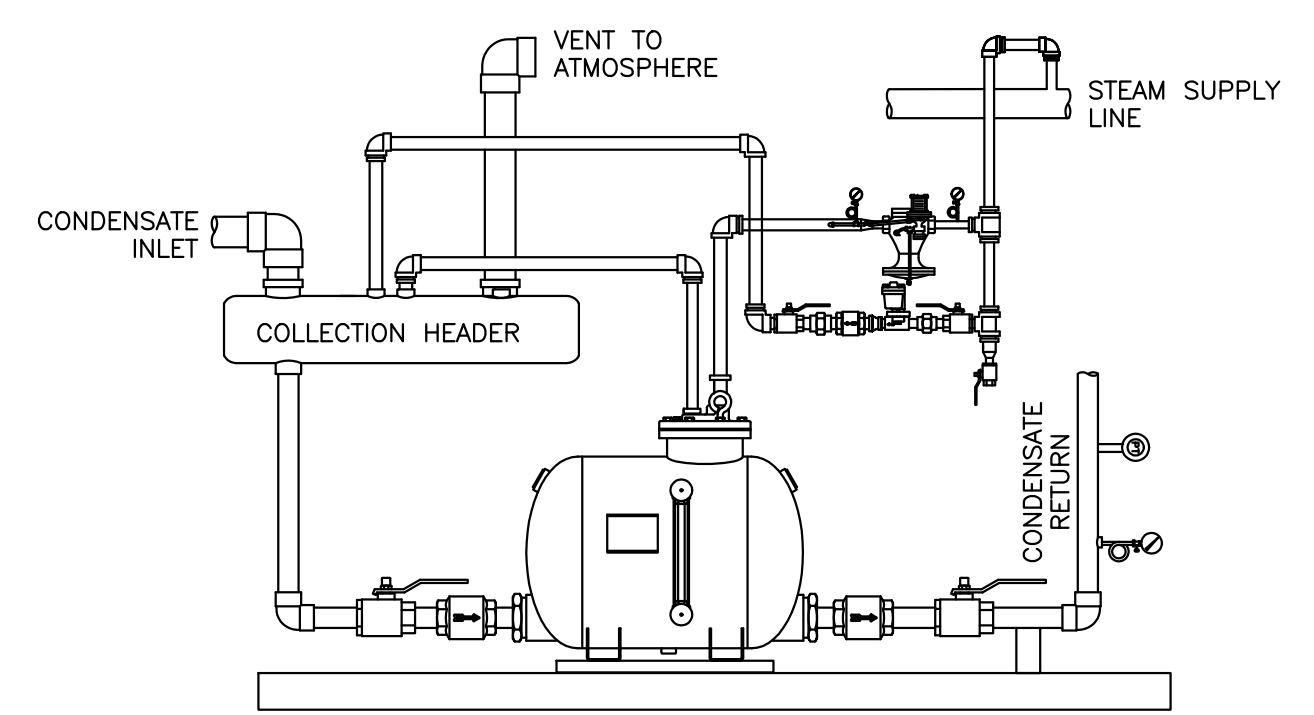
PRV - TWO STAGE SYSTEM
SCALE: NONE



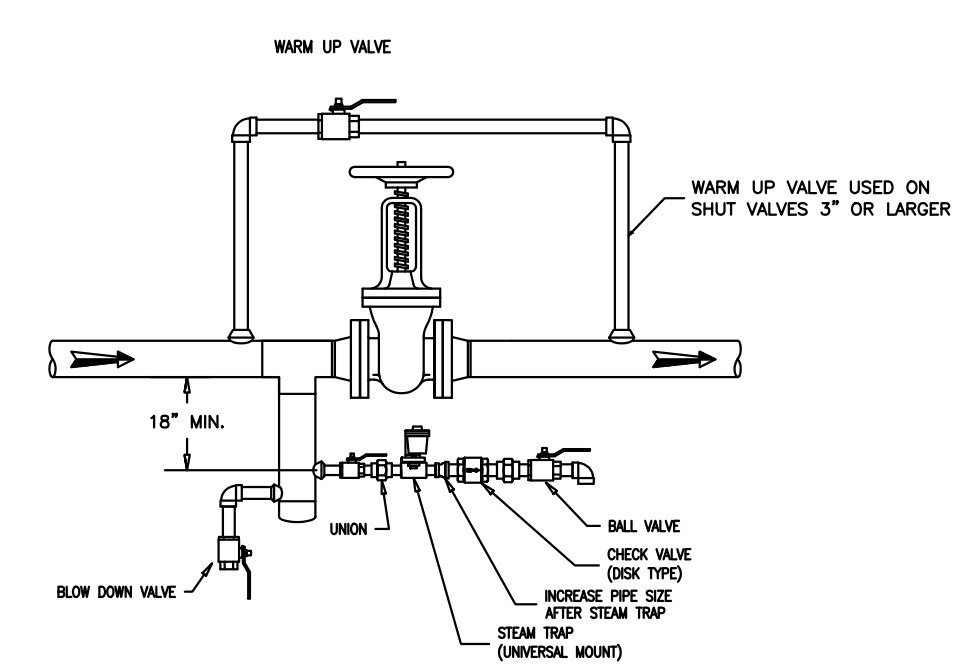
STEAM COIL - VERTICAL
SCALE: NONE



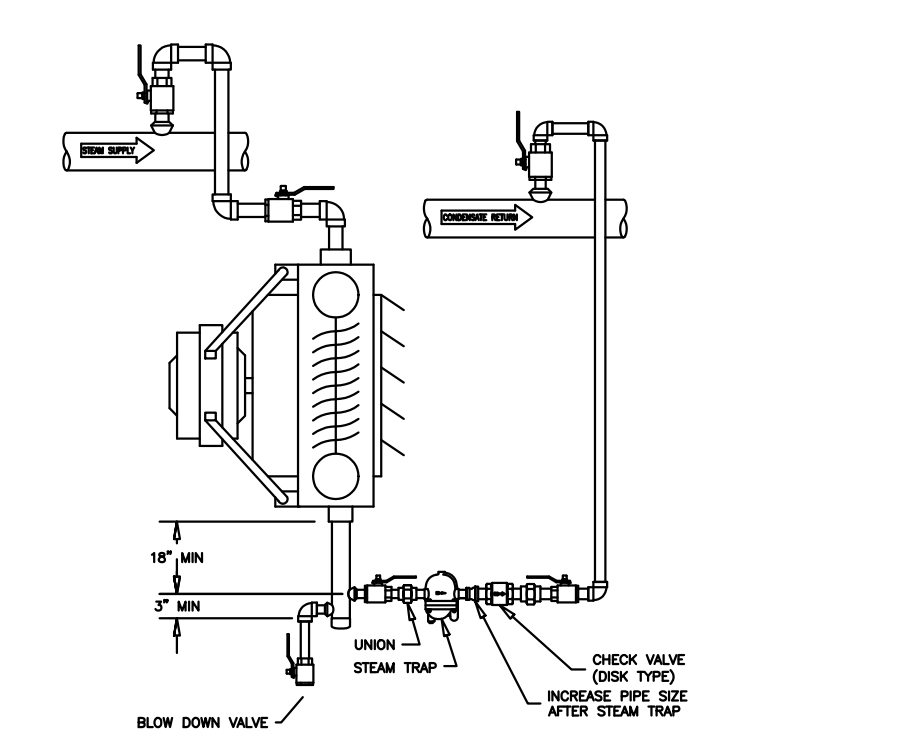
ELECTRIC CONDENSATE PUMP DETAIL
SCALE: NONE



CONDENSATE PUMP DETAIL
SCALE: NONE



STEAM ISOLATION VALVE INSTALLATION
SCALE: NONE



STEAM UNIT HEATER - VERTICAL
SCALE: NONE

Pressure		Temperature	Specific Volume		Heat	Enthalpy - BTU/lb	
Gage psig	Absolute psia	Saturation Deg. F.	Water vf	Steam vg	Liquid hf	Lat. Heat hfg	Total STM Heat hg
0	14.7	212.00	0.016713	26.789	180.33	970.0	1150.3
5	19.7	227.15	0.016827	20.378	195.61	960.5	1156.1
10	24.7	239.40	0.016923	16.494	207.99	952.6	1160.6
15	29.7	249.76	0.017006	13.880	218.47	945.7	1164.2
20	34.7	258.78	0.017081	11.998	227.62	939.6	1167.2
25	39.7	266.79	0.017149	10.575	235.77	934.1	1169.9
30	44.7	274.02	0.017212	9.461	243.13	929.0	1172.1
35	49.7	280.62	0.017271	8.564	249.87	924.3	1174.2
40	54.7	286.71	0.017327	7.825	256.09	919.9	1176.0
45	59.7	292.36	0.017380	7.207	261.89	915.8	1177.7
50	64.7	297.65	0.017431	6.682	267.31	911.9	1179.2
75	89.7	320.03	0.017657	4.911	290.39	894.8	1185.2
100	114.7	337.87	0.017857	3.891	308.94	880.4	1189.3
125	139.7	352.86	0.018033	3.227	324.65	868.0	1192.7
150	164.7	365.86	0.018194	2.757	338.38	856.7	1195.1
175	190	377.51	0.018338	2.404	350.79	846.8	1197.6
200	214.7	387.79	0.018483	2.136	361.79	837.7	1199.5
250	264.7	406.03	0.018742	1.743	381.54	820.2	1201.7
300	314.7	421.76	0.018981	1.471	398.79	804.4	1203.2
350	364.7	435.66	0.019205	1.272	414.22	789.9	1204.1
400	414.7	448.15	0.019418	1.120	427.94	776.3	1204.2
500	514.7	470.00	0.019820	0.901	452.76	751.3	1204.1
600	614.7	488.79	0.020201	0.751	474.59	728.3	1202.9

STEAM SYSTEM SOLUTION PROVIDERS

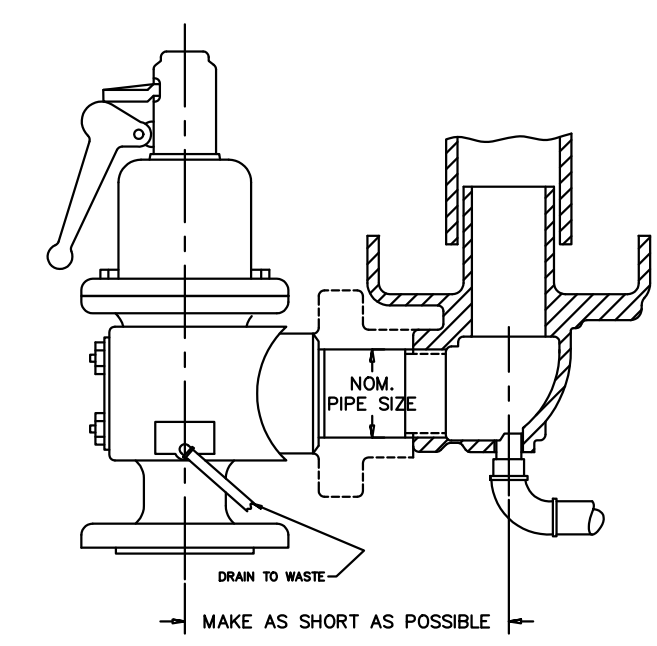
Steam Traps, Valves, Coils, Condensate Pumps, Surveys, Audits & Training

Provided By

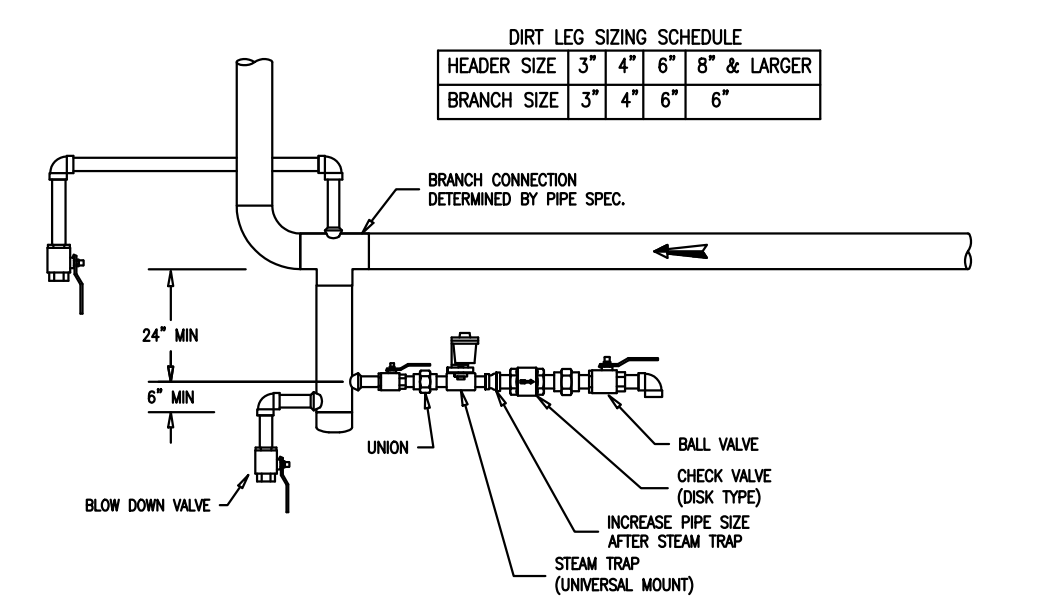


KEI Steam Solutions

3140 Lowell Drive
Green Bay, WI 54311
Branch Offices in: Milwaukee, Minnesota, Illinois,
WI Rapids, North Dakota & South Dakota
Toll Free: 800-236-0244 Fax: 920-465-4137
www.keisteam.com



SAFETY RELIEF VALVE AND DRIP PAN ELBOW
SCALE: NONE



DRIP LEG DETAIL
SCALE: NONE