



A division of CIRCOR International, Inc.

# Application Guide

SPENCE ENGINEERING COMPANY, INC. 150 COLDENHAM ROAD, WALDEN, NY 12586-2035

ED PARALLEL

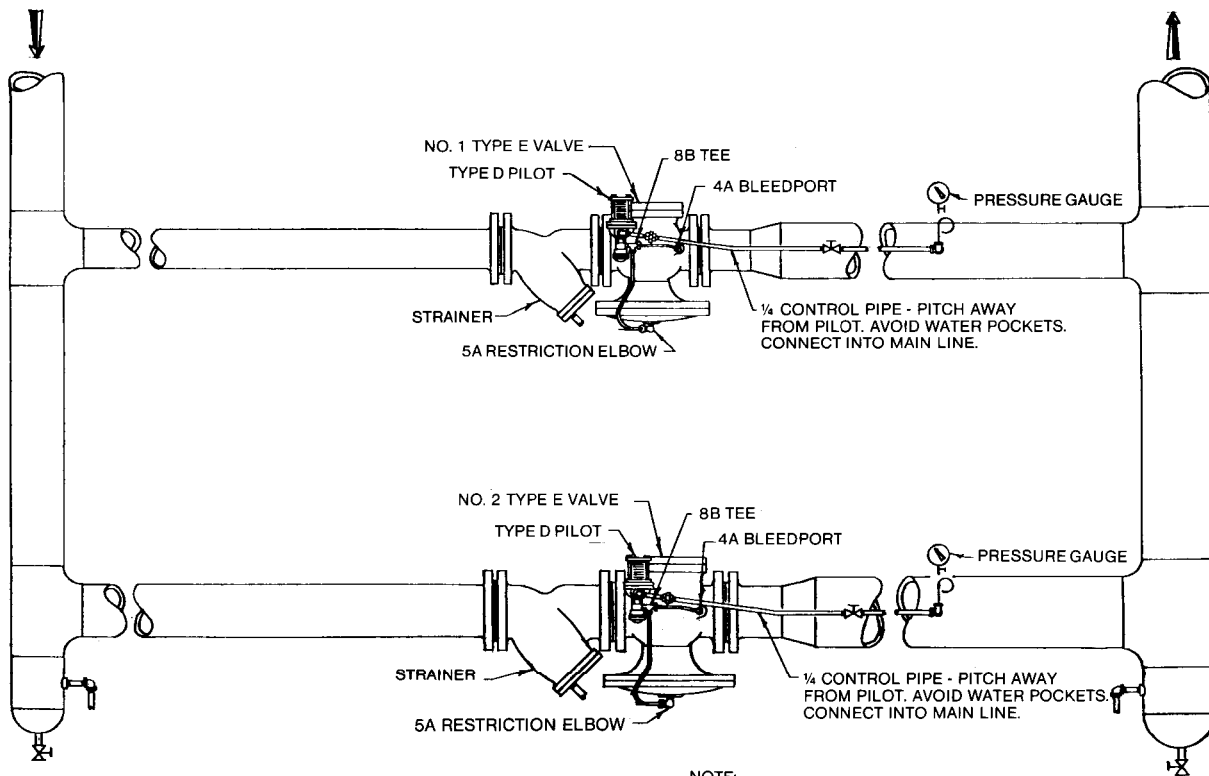
## TYPE ED PARALLEL (ADDITIVE) PRESSURE REDUCING STATION

### APPLICATION:

Used on widely varying flow conditions

### OPERATION:

Load is typically split 1/3 - 2/3. Small valve is sized for 1/3 of load and is lead valve set for desired delivery pressure. Large valve is lag valve set 2 - 3 psig lower than delivery pressure of small valve. On low flow demand, small valve only will be flowing; as flow increases and small valve cannot handle flow, the delivery pressure drops and large valve opens.



NOTE:  
PILOT FOR PRV NO.1 TO BE SET HIGHER  
THAN PILOT FOR PRV NO. 2

### ADVANTAGES:

- Better rangeability.
- Accurate control.

APPLICATION GUIDE  
PRESS. REDUCING-STM/GAS

This document was created with Win2PDF available at <http://www.win2pdf.com>.  
The unregistered version of Win2PDF is for evaluation or non-commercial use only.  
This page will not be added after purchasing Win2PDF.