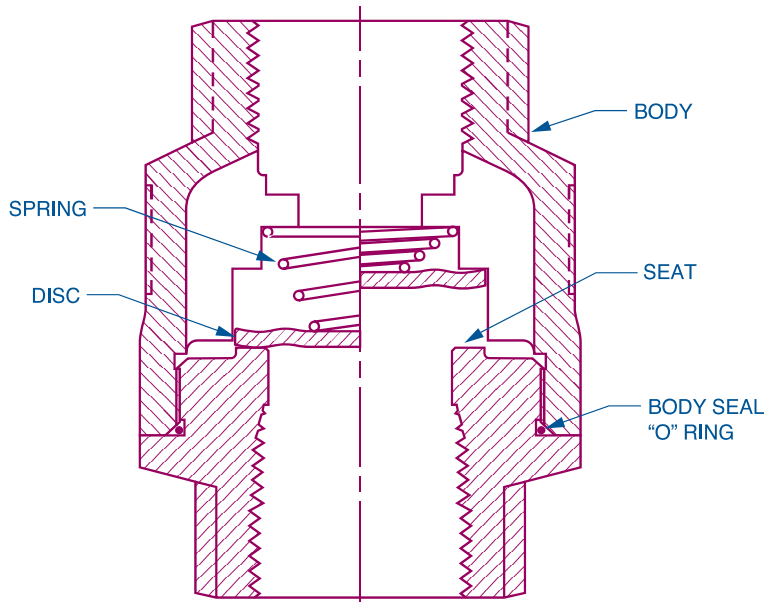


SCV

Features:



- 1/2" to 3" Line size
- 750 & 3600 CWP
- NPT & SW ends
- 316 Stainless Steel Construction
- Inconel® X-750 spring
- Spring-assisted silent closing
- Zelon body "O" ring
- Horizontal or vertical installation
- Body guided disc
- Tight shut-off - lapped disc & seat
- Simplified construction - 5 parts
- Easy maintenance
- Versatile
- OPTIONS:
 - 316 SS Springs
 - Body seal weld
 - Soft seat
 - Alloy 20 body & seat
 - Hastelloy C body & seat
 - NPT x socket weld ends
 - NACE

The DFT® Model SCV is a corrosion resistant, dependable, versatile and economical spring-assisted, in-line check valve for a wide range of applications. Whether the fluid is liquid, gas or steam, the SCV provides tight shut-off and protects other equipment in the system from water hammer. Its 316 stainless steel construction insures a long service life.

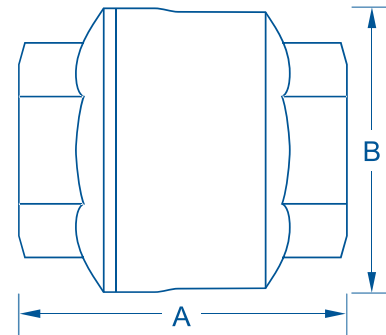
SCV

750 CWP/500 WSP

	1/2"	3/4"	1"	1 1/4"	1 1/2"	2"	3"
A	2.68	3	3.32	3.87	4.75	5	6.75
B (dia.)	1.62	2.13	2.54	3.06	3.44	4.4	6.19
Weight	1.1	1.5	1.9	3.9	4.7	7.7	18.8
CV	7	13	22	39	54	93	180
Cracking Pressure (psi)	0.29	0.24	0.36	0.28	0.24	0.23	0.20

3600 CWP

	1/2"	3/4"	1"	2"
A	3.16	3	3.75	6.38
B	1.88	2.33	2.75	4.31
Weight	1.5	3	4.5	14.0
CV	6.0	11	19	65
Cracking Pressure (psi)	0.62	0.4	0.36	0.36



Notes: All dimensions are in inches. Weights are in pounds.

	750 CWP MATERIALS OF CONSTRUCTION	3600 CWP MATERIALS OF CONSTRUCTION
Body	A351 CF8M	A351 CF8M
Seat ⁽¹⁾	A351 CF8M	A351 CF8M
Disc	A240 316	A240 316
Spring	Inconel® X-750	Inconel X-750
"O" ring	Zelcon (470°F max.)	Zelcon (400°F max.) ⁽²⁾

Notes: 1. Soft seats are available for bubble-tight shutoff. See below.
Body seal and soft seat material are the same unless otherwise requested.

- Buna-N CO₂ resistant "O" ring is available upon request.
- Maximum temperature for Buna-N.
- Maximum temperature for Viton® and Zelcon w/3600CWP SCV.
- Maximum temperature for Zelcon w/750CWP SCV.
- Buna-N and Viton are not suitable for steam service.
- Maximum valve temperature rating is limited by the body seal & seat material selected.
- 750CWP is rated to 470°F.

PRESSURE TEMPERATURE RATING (PSIG)		
Temp. (deg.F)	750 CWP	3600 CWP
-20 to 100°	750	3600
200	645	3095
250 ⁽³⁾	610	2945
300	580	2795
400 ⁽⁴⁾	535	2570
470 ⁽⁵⁾	510	

MATERIALS	BODY "O" RING/SOFT SEAT MATERIALS ^{(6) (7)}				SPRINGS	
	BUNA-N	EPDM	VITON TFE® - VITON	ZELON ⁽⁸⁾	316 SS	INCONEL® X-750
TEMP. °F	-70 to 250	-75 to 300	-40 to 400	37 to 400	-460 to 450	-460 to 700

This document was created with Win2PDF available at <http://www.win2pdf.com>.
The unregistered version of Win2PDF is for evaluation or non-commercial use only.
This page will not be added after purchasing Win2PDF.