

# VENTER NAV SERIES

## FREE-FLOATING LEVER AIR VENTER

### SPECIFICATION

The air/gas vent shall be of a float-type design capable of discharging air or gas in a pressurized steam system. All components including sealed body, seat, and valve are made of stainless steel and are available with a 1/2" or 3/4" NPT inlet and 1/2" NPT outlet.

### MATERIALS OF CONSTRUCTION

Body .....	AISI 304 SS
Connectors .....	AISI 304 SS
Float .....	AISI 304 SS
Lever .....	AISI 304 SS
Bracket Clip .....	AISI 304 SS
Valve .....	Hardened Chrome Steel AISI D3
Valve Seat .....	Hardened Chrome Steel AISI D3

### MAXIMUM OPERATING CONDITIONS

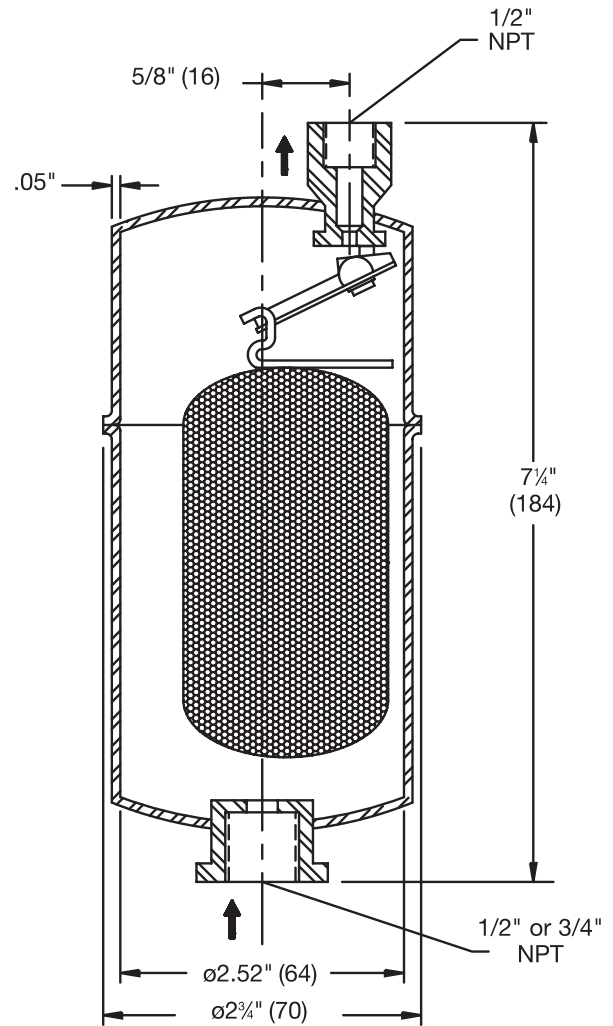
PMO: Maximum Operating Pressure	See table below
PMA: Maximum Allowable Pressure	400 psi (28 bar)
TMA: Maximum Operating Temperature	500°F (260°C)

Orifice	Max. Operating Pressure psi (bar)*
1/8"	175 (12)
3/32"	300 (21)
5/64"	400 (28)

\* Good for liquids with SG of 1.0 but will also work down to SG of 0.75

### CRITICAL DIMENSIONS

Height .....	7 1/4"
Diameter .....	2 3/4"
Wall .....	.05"
Pipe Connections .....	NPT



This document was created with Win2PDF available at <http://www.win2pdf.com>.  
The unregistered version of Win2PDF is for evaluation or non-commercial use only.  
This page will not be added after purchasing Win2PDF.