

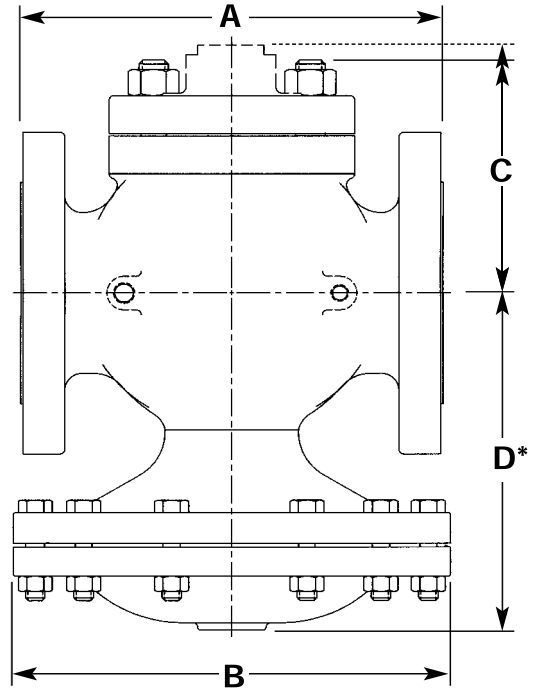
TYPE E6 MAIN VALVE

SPECIFICATION

The valve shall be self-operated, external pilot type, single seated, composition disc, hycar diaphragm actuated, normally closed design. The valve will function quickly and shut tight on dead end service. Seats and stems shall be of stainless steel. There shall be no springs in the flow space and no stuffing box. The valve shall be easy to maintain with all parts accessible without removal from the line.

MATERIALS OF CONSTRUCTION

Body, Cast IronASTM A126 Cl. B
 Body, Cast BronzeASTM B61 UNS C92200
 Stem303 St. Stl. ASTM A582
 DiscHycar Comp.
 Seat 3/4 - 5"420 St. Stl. ASTM 473 CA-40
 Seat 6 - 8"316 St. Stl. ASTM A743 CF-8M
 GasketNon-asbestos
 DiaphragmHycar
 SpringSteel
 Disc HolderASTM B16 UNS C36000



TYPE E6 MAIN VALVE

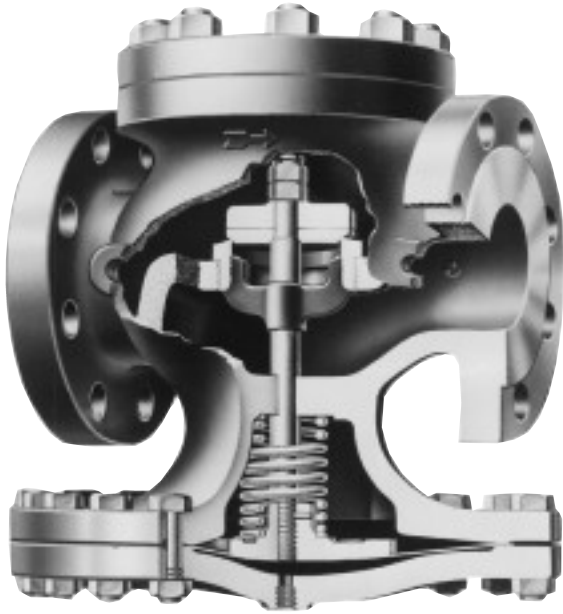
TYPE E6 MAIN VALVE

FITTINGS ON PAGE 46

DIMENSIONS inches (mm) AND WEIGHTS pounds (kg)

SIZE	DIMENSIONS							APPROX. WT.		
	A			B	C		D*	APPROX. WT.		
	ANSI NPT	ANSI 125	ANSI 250		Std. Mount	Integral Mount		ANSI NPT	ANSI 125	ANSI 250
3/4 (19)	4 3/4 (111)	—	—	6 7/8 (175)	2 7/8 (73)	3 3/8 (92)	6 3/8 (162)	18 (8)	—	—
1 (25)	5 3/8 (137)	5 1/2 (140)	6 (152)	6 7/8 (175)	3 5/8 (92)	4 3/8 (111)	6 3/8 (168)	18 (8)	27 (129)	30 (14)
1 1/4 (32)	6 1/2 (165)	6 3/4 (171)	7 1/4 (184)	9 1/8 (232)	4 1/8 (105)	4 (102)	7 3/4 (197)	37 (17)	39 (18)	44 (20)
1 1/2 (38)	7 1/4 (184)	6 7/8 (175)	7 3/8 (187)	9 1/8 (232)	4 3/8 (111)	4 1/2 (114)	7 7/8 (200)	42 (19)	50 (23)	56 (25)
2 (51)	7 1/2 (191)	8 1/2 (216)	9 (229)	11 1/8 (283)	5 1/4 (133)	5 (127)	8 5/8 (219)	66 (30)	73 (33)	81 (37)
2 1/2 (64)	—	9 3/8 (238)	10 (254)	11 1/8 (283)	5 3/4 (146)	5 3/8 (137)	9 (229)	—	83 (38)	95 (43)
3 (76)	—	10 (254)	10 3/4 (273)	13 1/2 (343)	6 5/8 (168)	6 3/8 (162)	9 7/8 (251)	—	124 (56)	146 (66)
4 (102)	—	11 7/8 (302)	12 1/2 (318)	13 1/2 (343)	7 5/8 (194)	6 3/8 (168)	12 3/4 (324)	—	206 (94)	234 (106)
5 (127)	—	13 3/8 (346)	14 1/2 (368)	13 1/2 (343)	8 1/2 (216)	7 3/8 (187)	13 1/4 (337)	—	275 (125)	287 (130)
6 (152)	—	15 1/8 (384)	16 (406)	16 3/4 (425)	10 (254)	7 (178)	15 1/2 (394)	—	363 (165)	431 (196)
8 (203)	—	19 (483)	20 (508)	16 3/4 (425)	11 1/2 (292)	9 1/4 (235)	17 5/8 (448)	—	508 (231)	610 (277)

*Add 100% to D dimension for stem removal clearance.



TYPE E8 MAIN VALVE

TYPE E8 MAIN VALVE

AIR LOADED

SIZES 3/8" – 12"

PRESSURES to 250 PSIG at 406°F

- Normally Closed
- Single Seat
- Balanced Metal Diaphragms
- ANSI/FCI 70-2 Class IV Shutoff
- No Minimum Operating Differential Pressure
- Packless Construction
- No Pilot Needed
- Maximum 50 PSI Air Delivery Pressure
- Permits Remote Operation and Control
- Economical Alternative to Control Valve

APPLICATION DATA

- Pressure Regulating for Steam Distribution
- Regulating for Process Control (Temperature or Pressure)
- Maintain Back Pressure or Differential Pressure
- To use Air Load Pressure to Control Delivery Pressure
- Single Point or Multiple Use Applications
- Slow Start-up or Shutdown
- Use where "Dirty Steam" Conditions Exist

VALVE RATINGS

Valve Ends ASME/ANSI	Pressure PSIG (bar)	Temperature °F (°C)
-------------------------	------------------------	------------------------

CAST IRON

Class 250 NPT	250 (17.2)	@ 450 (232)
B16.1 Class 125 Flanged	125 (8.6)	@ 450 (232)
B16.1 Class 250 Flanged	250 (17.2)	@ 450 (232)

Canadian Registration # OC 0591.9C

OPTIONS *See page 42*

- Composition Disc
- Parabolic Disc
- Balanced Construction
- Dashpot
- Insulcap Insulating Jacket
- EZ Connections

TYPICAL CONFIGURATIONS

- PRESSURE REDUCINGTYPE E8 65A
- PRESSURE REDUCINGTYPE E8 A PANEL
- PRESSURE REDUCINGTYPE E8 B PANEL
- PRESSURE REDUCINGTYPE E8EPC
- TEMPERATURE CONTROLTYPE E8T61
- TEMPERATURE CONTROLTYPE E8EPC

Installation Tip: Add EZ Connections for ease of maintenance
SEE PAGE 42

SIZING INFO
PAGE 108

RATED FLOW COEFFICIENTS (Cv)

SEAT FACTOR	REGULATOR SIZE														
	3/8	1/2	3/4	1	1 1/4	1 1/2	2	2 1/2	3	4	5	6	8	10	12
Full	1.5	2.8	5.4	8.8	14.1	19.8	31	44	74	109	169	248	444	706	1113
Full 75 %	—	2.1	4.0	6.6	10.6	14.8	23.3	33	56	82	127	186	333	530	835
Full 50 %	—	1.4	2.7	4.4	7.0	9.9	15.5	22	37	55	85	124	222	353	557
Normal	.65	1.5	4.8	7.5	10.4	14.6	17.6	24	43	78	115	151	249	377	631
Normal 75 %	—	—	—	—	—	—	—	18	33	59	87	114	187	283	474
Normal 50 %	—	—	—	—	—	—	—	12	22	39	58	76	125	189	316

This document was created with Win2PDF available at <http://www.win2pdf.com>.
The unregistered version of Win2PDF is for evaluation or non-commercial use only.
This page will not be added after purchasing Win2PDF.