

# SEALED STAINLESS STEEL DURA-FLO INVERTED BUCKET STEAM TRAPS

## SPECIFICATION

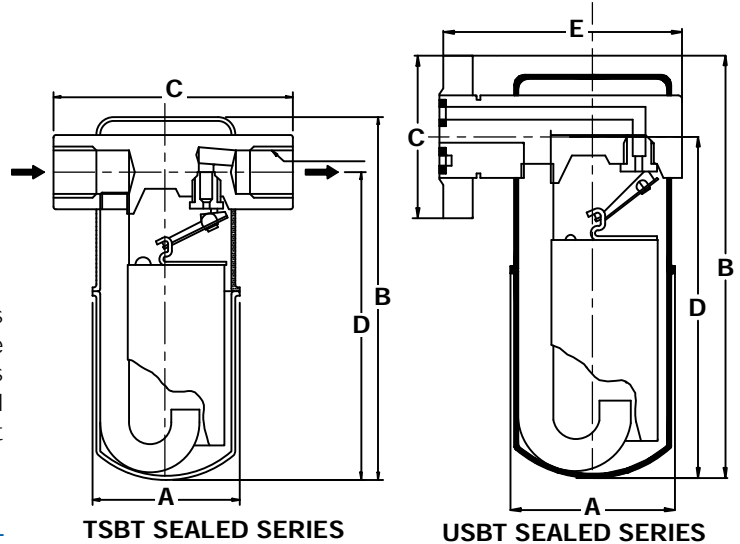
Furnish and install as shown on the plans, inverted bucket traps capable of discharging condensate, air and other non-condensable gases without loss of steam. These traps shall have a stainless steel sealed body, hardened chrome steel valve and seat and an all stainless steel linkage and bucket. It shall have a universal mount connector option.

## MAXIMUM OPERATING CONDITIONS

PMO: Max. Operating Pressure See Orifice Selection  
 TMO: Max. Operating Temperature Saturated at PMO  
 PMA: Max. Allowable Pressure -  
     LS 200 psig (13.8 barg) at 450°F (232°C)  
     MS 307 psig (21.2 barg) at 450°F (232°C)  
     HS 650 psig (44.8 barg) at 497°F (258°C)  
 TMA: Max. Allowable Temperature -  
     MS, LS & HS - 800°F (425°C)

## MATERIALS OF CONSTRUCTION

Body .....AISI 304 SS  
 Bucket .....AISI 304 SS  
 Bucket Clip.....AISI 304 SS  
 Lever .....AISI 304 SS  
 Inlet Tube .....AISI 304 SS  
 Valve.....Hardened Chrome Steel AISI D3  
 Valve Seat .....Hardened Chrome Steel AISI D3  
 Connector .....AISI 304 SS



Connections: 3/8" - 1" NPT

**DIMENSIONS** inches (mm) **AND WEIGHTS** pounds (kg)

Model	Inches (mm)				Weight lbs(kg)
	A	B	C	D	
TSBT-LS	2 3/4 (70)	5 5/8 (142)	4 7/8 (110)	4 3/8 (116)	2.25 (1)
TSBT-MS	2 3/4 (70)	6 3/8 (167)	4 3/8 (110)	5 1/8 (141)	2.5 (1.1)
TSBT-HS	3 1/8 (99)	8 1/8 (218)	5 (127)	7 1/8 (187)	7 (3.2)

Connections:  
Universal Mount Two Bolt Swivel Connection

**DIMENSIONS** inches (mm) **AND WEIGHTS** pounds (kg)

Model	Inches (mm)					Weight lbs(kg)
	A	B	C	D	E	
USBT-LS	2 3/4 (70)	6 (152)	2 3/4 (70)	4 3/8 (117)	4 (101.6)	4.25 (2)
USBT-MS	2 3/4 (70)	7 1/8 (183)	2 3/4 (70)	5 13/16 (148)	4 (101.6)	4.75 (2.2)
USBT-HS	3 3/8 (99)	8 3/4 (222)	2 3/4 (70)	7 3/8 (187)	5 (127)	7 (3.2)

## Maximum Capacity—(lbs/hr)

Trap	Orifice		Differential Pressure												
			5	10	15	30	40	70	80	125	200	250	300	400	650
	Size	MOP	(0.34)	(0.69)	(1.03)	(2.07)	(2.76)	(4.83)	(5.52)	(8.62)	(13.79)	(17.24)	(20.69)	(27.59)	(44.83)
SBT-LS & TSBT-LS	3/32	200	85	120	145	200	230	300	325	400	500				
USBT-MS & TSBT-MS	1/4	15	800	920	1040										
	3/16	30	540	690	800	1000									
	5/32	70	390	490	560	700	790	940							
	1/8	125	260	325	400	530	600	750	800	970					
	7/64	200	200	265	315	410	470	580	610	720	900				
USBT-HS & TSBT-HS	3/32	250	155	200	240	315	360	440	480	560	690	750			
	5/64	400	100	130	155	210	235	280	310	360	440	460	510	580*	
	1/4	40	1040	1350	1580	2000	2350								
	3/16	80	680	930	1120	1550	1775	2400	2300						
	1/8	250	320	42	510	700	790	1020	1090	1300	1650	1800			
7/64	300	220	280	325	430	500	630	685	800	1000	1100	1200			
3/32	650	175	225	270	370	400	510	540	650	800	870	930	1050	1300	

For Kg/Hr Multiply by .454

\* CRN not available

This document was created with Win2PDF available at <http://www.win2pdf.com>.  
The unregistered version of Win2PDF is for evaluation or non-commercial use only.  
This page will not be added after purchasing Win2PDF.