

# CONDENSATE COMMANDER LITTLE BOY PUMP

## SPECIFICATION

Pump shall be a pressure vessel drainer operated by steam, compressed air or other pressurized gas to 150 psig. Body shall be fabricated steel. Mechanism shall employ one spring operating in continuous compression. Spring shall be warranted for the life of the unit. When required, unit shall be equipped with an external cycle counter and sight glass.

### Maximum operating conditions

PMO: Max. Operating Pressure	150 psig	(10.3 barg)
TMO: Max. Operating Temperature	400°F	204°C)
PMA: Max. Allowable Pressure	150 psig	(10.3 barg)
TMA: Max. Allowable Temperature	400°F	(204°C)

### Materials of construction

Tank Weldment .....	Steel
Trip Mechanism w/Flange ....	DI/Stl/SS
Gasket .....	Non-asbestos
Bolt, Hex Head.....	Steel
Nameplate .....	Aluminum
Drive Screw .....	Steel
Water Level Gage.....	Bronze
Inlet Reducer .....	M. Iron
Inlet Nipple.....	Steel
Inlet Check Valve.....	Bronze/Stainless Steel
Outlet Reducer .....	M. Iron
Outlet Nipple .....	Steel
Outlet Check Valve.....	Bronze/Stainless Steel

### Options

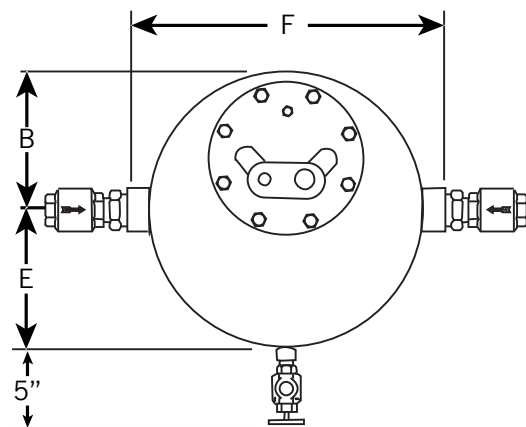
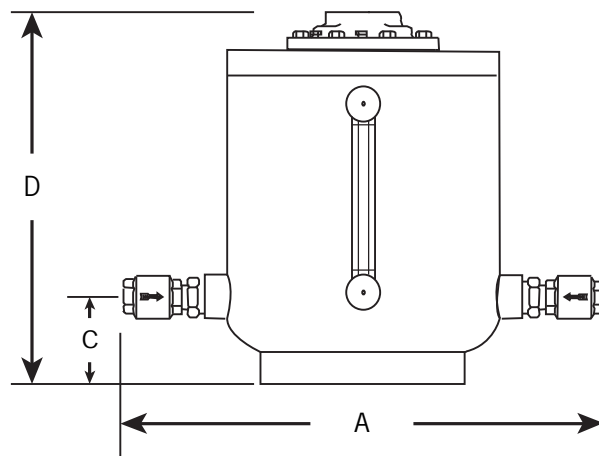
- High Back Pressure for back pressures above 60 psi

Size	Dimensions						Weight lbs (kg)
	Inches (mm)						
	A	B	C	D	E	F	
1"x 1"	26 (679)	8 (203)	5 (127)	21 (540)	9 (229)	17 (451)	17 (451)
1½"x 1½"	29 (749)	8 (203)	5 (127)	21 (540)	9 (229)	17 (451)	155 (71)

\*Add 5" for Water Gage.

†Allow additional 18" clearance for maintenance.

Canadian Registration # 1353.92



See Capacities on page 91

Connections: 1", 1" to 1½" x 2 NPT

### Operating Characteristics

Pump Discharge per Cycle:	4.2 - 5.1 Gal
Max. Instantaneous Discharge Rate:	60 GPM (w/1½" outlet check)
Steam Consumption:	≈3 lbs per 1000 lbs. of liquid pumped
Air Consumption:	≈100 SCF per 1000 lbs. of liquid pumped
Recommended Filling Head:	6"

# CONDENSATE COMMANDER

## PUMP CAPACITY TABLE \*

Motive Pressure		Back Pressure		Fill Head 6" Little Boy		Fill Head 12" Classic & Horizontal				Fill Head 24 Big Boy	Fill Head 12" Classic Duplex
psig	barg	psig	barg	1 X 1	1.5 X 1.5	1 X 1	1.5 X 1.5	2 X 2	3 X 2	4 X 4	3 X 2
250	17.24	40	2.76	-	-	2703	6392	10196	11537	-	23073
		60	4.14	-	-	3670	7203	7787	8551	-	17101
		80	5.52	-	-	3457	6071	6531	7105	-	14209
		100	6.90	-	-	3891	5278	5753	6202	-	12404
		120	8.28	-	-	3700	4730	5213	5587	-	11173
		150	10.34	-	-	3196	4074	4552	4842	-	9683
		175	12.07	-	-	2845	3624	4092	4331	-	8663
		200	13.79	-	-	2456	3152	3650	3847	-	7694
		225	15.52	-	-	1963	2732	3221	3380	-	6761
200	13.79	40	2.76	-	-	2503	5919	9441	10682	-	21364
		60	4.14	-	-	3398	6669	7210	7918	-	15835
		80	5.52	-	-	4021	5579	6110	6619	-	13238
		100	6.90	-	-	3741	4855	5403	5804	-	11607
		120	8.28	-	-	3286	4242	4768	5088	-	10177
		150	10.34	-	-	2741	3533	4058	4297	-	8593
		175	12.07	-	-	2151	2926	3476	3661	-	7321
150	10.34	25	1.72	1814	5739	2314	5722	10376	12105	47994	24210
		40	2.76	3058	4860	3386	7077	8465	9450	45382	18899
		60	4.14	3127	4234	4464	6338	6995	7630	39757	15260
		80	5.52	2620	3472	3763	4974	5607	6040	35452	12080
		100	6.90	2261	2957	3168	4150	4743	5064	27971	10128
		120	8.28	1935	2530	2669	3522	4156	4408	20613	8815
125	8.62	25	1.72	2470	5645	2942	6740	10712	12337	48101	24674
		40	2.76	3215	4619	3983	7197	7965	8836	44256	17672
		60	4.14	2788	3768	4066	5513	6220	6758	38625	13516
		80	5.52	2358	3117	3326	4416	5064	5432	33012	10863
		100	6.90	1920	2535	2656	3544	4216	4482	25862	8964
		115	7.93	1491	2151	1952	2976	3589	3788	17512	7575
100	6.90	15	1.03	2036	6211	2762	6393	11889	14241	47156	28482
		25	1.72	3132	5336	3763	7658	9818	11170	45212	22340
		40	2.76	3082	4323	4569	6603	7403	8164	42041	16327
		60	4.14	2534	3406	3612	4893	5641	6092	35589	12184
		80	5.52	1959	2620	2716	3681	4428	4721	27783	9442
75	5.17	15	1.03	2975	6022	3867	7978	11977	14038	46485	28075
		25	1.72	3340	4940	4649	7823	8914	10026	43084	20052
		40	2.76	2817	3891	4078	5723	6654	7273	40027	14546
		60	4.14	2003	2732	2786	3863	4721	5057	20002	10114
50	3.45	10	0.69	3701	6273	4692	9227	12492	14737	46092	29474
		25	1.72	2976	4250	4343	6387	7603	8421	39727	16843
		40	2.76	2053	2891	2863	4120	5172	5578	19899	11156
25	1.72	5	0.34	3872	6625	5825	10486	13760	16560	45329	33120
		10	0.69	3315	5063	4845	7774	9812	11193	39945	22385
		15	1.03	2751	4016	3950	6043	7657	8513	18694	17026
10	0.69	2	0.14	3894	6646	5610	10348	14520	17621	-	35242
		5	0.34	2945	4600	4150	6954	9708	11085	-	22170
5	0.34	2	0.14	2981	5115	4130	7602	11747	13781	-	27562

\*Capacities shown are obtained with factory supplied check valves

For Kg/Hr multiply by .454

For other multiplex capacities, consult factory.

This document was created with Win2PDF available at <http://www.win2pdf.com>.  
The unregistered version of Win2PDF is for evaluation or non-commercial use only.  
This page will not be added after purchasing Win2PDF.