

CONDENSATE COMMANDER HORIZONTAL PUMP SPECIFICATION

Pump shall be a pressure vessel drainer operated by steam, compressed air or other pressurized gas to 250 psig. Body shall be fabricated steel ASME code to 250 psi. Pump mechanism shall be all stainless steel without external packing or seals. Mechanism shall employ one spring operating in continuous compression. Spring shall be warranted for the life of the unit. When required, unit shall be equipped with an external cycle counter, sight glass and insulating jacket.

MAXIMUM OPERATING CONDITIONS

PMO:		
Max. Operating Pressure	250 psig	(17.2 barg)
TMO:		
Max. Operating Temperature	400°F	(204°C)
PMA:		
Max. Allowable Pressure	250 psig	(17.2 barg)
TMA:		
Max. Allowable Temperature	400°F	(204°C)

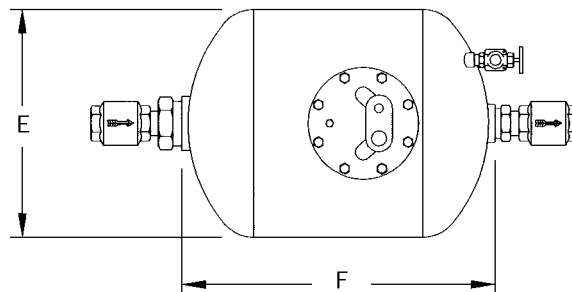
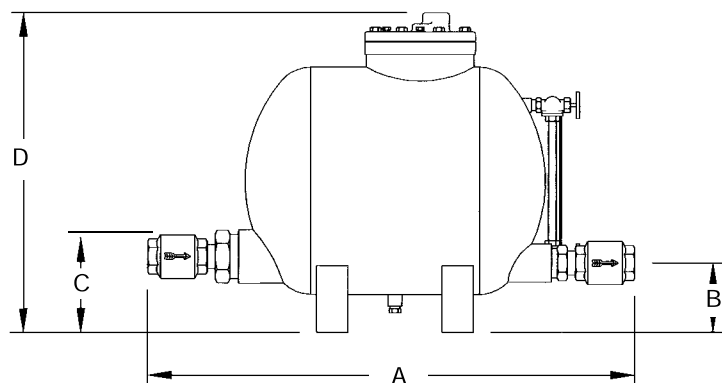
MATERIALS OF CONSTRUCTION

Tank Weldment	Steel
Trip Mechanism w/Flange	DI/Stl/SS
Gasket	Non-asbestos
Bolt, Hex Head	Steel
Nameplate	Aluminum
Drive Screw	Steel
Pipe Plug, 1/2" NPT	Steel
Water Level Gage	Bronze
Inlet Reducer	M. Iron
Inlet Nipple	Steel
Inlet Check Valve	Bronze/Stainless Steel
Outlet Reducer	M. Iron
Outlet Nipple	Steel
Outlet Check Valve	Bronze/Stainless Steel

OPERATING CHARACTERISTICS

Pump Discharge per Cycle:	8.8 - 11 Gal
Max. Instantaneous Discharge Rate:	90 GPM (w/2" outlet check)
Steam Consumption:	~3 lbs per 1000 lbs. of liquid pumped
Air Consumption:	~100 SCF per 1000 lbs. of liquid pumped
Recommended Filling Head:	12"

Canadian Registration # 1351.9



Exhaust outlet: 1" NPT
Motive inlet: 1/2" NPT

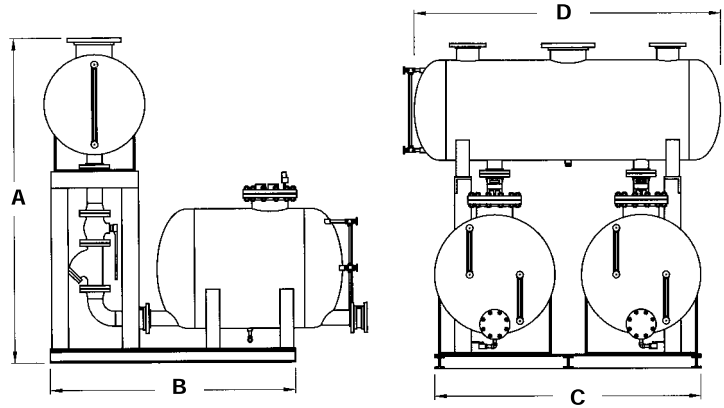
See Capacities on page 91

Connections:
1" x 1" to 3" x 2" Screwed

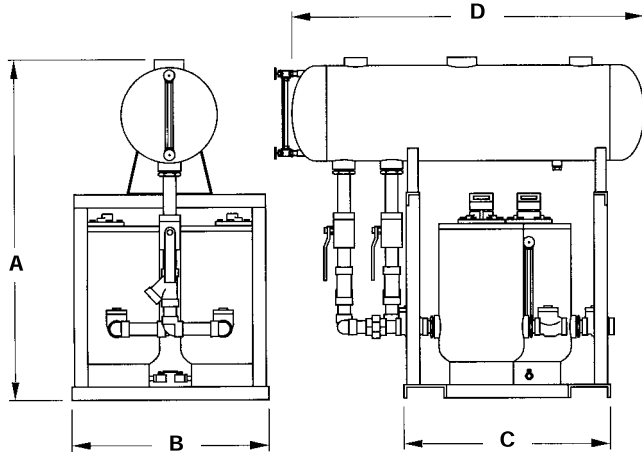
Size	Inches (mm)						Weight lbs(kg)
	A	B	C	D ¹	E	F	
1"x 1"	34 1/4 (879)	5 1/2 (140)	6 (152)	25 1/4 (641)	18 (457)	25 (635)	174 (79)
1 1/2"x 1 1/2"	36 1/4 (933)	5 1/2 (140)	6 (152)	25 1/4 (641)	18 (457)	25 (639)	178 (81)
2"x 2"	37 1/4 (943)	5 1/2 (140)	6 (152)	25 1/4 (641)	18 (457)	25 (639)	183 (83)
3"x 2"	38 1/4 (971)	5 1/2 (140)	6 (152)	25 1/4 (641)	18 (457)	25 (639)	190 (86)

¹Allow additional 21" clearance for maintenance.

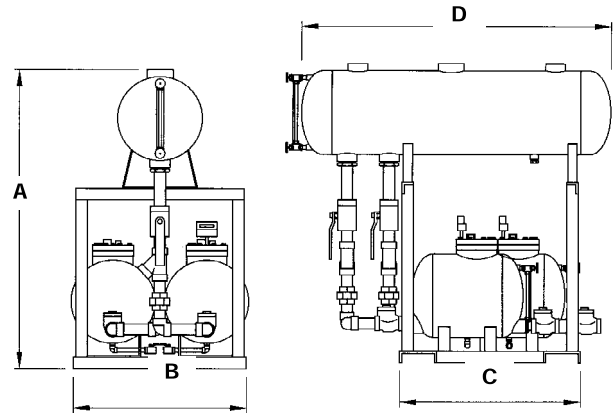
CONDENSATE COMMANDER PUMP SKID MOUNTED SYSTEM



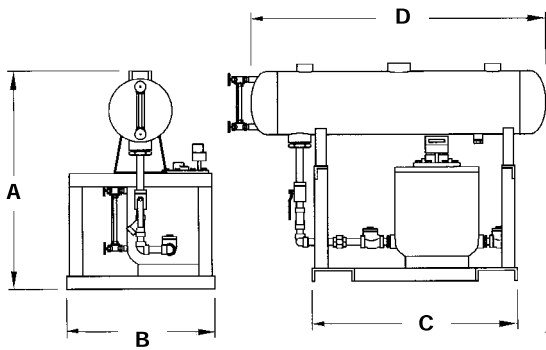
BIG BOY



CLASSIC VERTICAL



CLASSIC HORIZONTAL



LITTLE BOY

*The layout for the Big Boy Simplex is the same as the Classic Horizontal.

Dimensions							
Style	Config-uration	Receiver Gallons	Inches (mm)				Weight lb (kg)
			A	B	C	D	
Little Boy	Simplex	25	41 ½ (1054)	27 (686)	39 (991)	56 (1422)	435 (198)
Classic, Vertical	Simplex	25	58 ½ (1486)	27 (686)	39 (991)	56 (1422)	576 (262)
		65	64 ½ (1638)	27 (686)	39 (991)	66 ½ (1689)	635 (289)
Classic, Vertical	Duplex	65	64 ½ (1638)	36 (914)	39 (991)	66 ½ (1689)	1050 (477)
		80	66 ½ (1689)	36 (914)	39 (991)	68 (1727)	1095 (498)
Classic, Horizontal	Simplex	25	58 ½ (1486)	27 (686)	39 (991)	56 (1422)	596 (2713)
		65	64 ½ (1638)	27 (686)	39 (991)	66 ½ (1689)	655 (298)
Classic, Horizontal	Duplex	65	64 ½ (1638)	36 (914)	39 (991)	66 ½ (1689)	1095 (498)
		80	66 ½ (1689)	36 (914)	39 (991)	68 (1727)	1135 (516)
Big Boy	Simplex*	115	87 ½ (2228)	50 (1270)	70 ½ (1791)	96 (2438)	1900 (864)
Big Boy	Duplex	250	97 ½ (2482)	76 (1930)	80 (2032)	92 (2337)	3050 (1386)

This document was created with Win2PDF available at <http://www.win2pdf.com>.
The unregistered version of Win2PDF is for evaluation or non-commercial use only.
This page will not be added after purchasing Win2PDF.