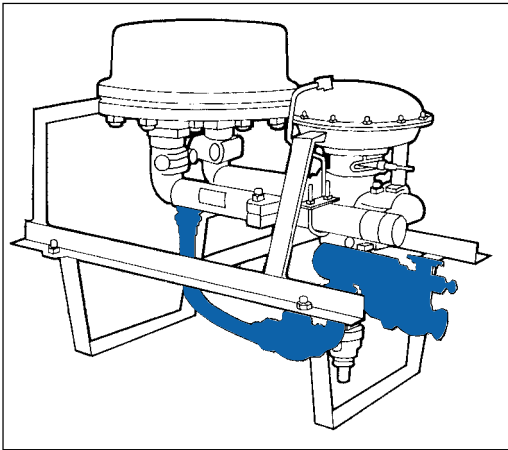


CONSTANTEMP RECIRCULATION KIT



FEATURES

- Pre-piped
- Controls Recirculation
- Fits entirely within heater envelope
- Non-adjustable
- Rugged thermostatic valve

APPLICATION DATA

- Long piping runs in:
 - Hospitals
 - Universities
 - Military bases
 - Industrial plants

The recirculation system is integrally mounted within the heater system. You need only to connect the return line to the recirculation connection on the heater.

Operation Schematic

