

**GP SERIES**

# GP SERIES GPKP REDUCING VALVE

**SIZES 1/2" - 4"**

**PRESSURES to 250 PSIG at 450°F**

- Steam Service
- 95% Accuracy of Regulation
- 100:1 Rangeability\*
- Packless Construction
- Exclusive Spiroflex® Diaphragm for Smooth Operation
- 3 Year Warranty\*
- GPKP Internal Pilot
  - Operates on As Little As 10 PSI Pressure Drop
  - Large Pilot Clearances and Non-Continuous Bleed Minimize Fouling

## APPLICATION DATA

- HVAC Systems
- Process Control Systems for Food, Molding, Textile, Pulp, etc.
- Packaged OEM Systems for Heat Exchangers, Metal Cleaning, Vaporizers, etc.

## VALVE RATINGS

Valve Ends ASME/ANSI	Pressure PSIG (bar)	Temperature °F (°C)
-------------------------	------------------------	------------------------

### CAST IRON

B16.1 Class 250 NPT	250 (17.2)	@ 450 (232)
B16.1 Class 125 Flanged	125 (8.6)	@ 450 (232)
B16.1 Class 250 Flanged	250 (17.2)	@ 450 (232)

## SPRING PRESSURE RANGES (PSIG)

<b>GPKP</b>	5-20	15-75	50-150
-------------	------	-------	--------

## MODELS

- GPKP-Internal Pilot, Cast Iron, ANSI 250, Steam Svc.

## OPTIONS

- SS Trim with Stellite®

*For Sizing Capacity Tables  
see Pages 35, 36 & 41*

## RATED FLOW COEFFICIENTS (Cv)

		REGULATOR SIZE								
		1/2	3/4	1	1 1/4	1 1/2	2	2 1/2	3	4
STEAM	Std <sup>1</sup>	3.65	6.08	10.9	15.0	21.3	25.1	35.8	55.8	74.3
	Ext <sup>2</sup>	5.67	10.0	15.7	21.9	29.1	29.1	65.7	84.6	103.0

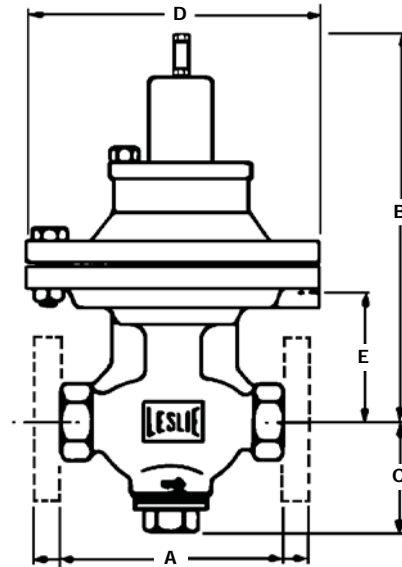
1. 95% accuracy (2 psi min. droop)  
2. 90% accuracy (3 1/2 psi min. droop)

# GP SERIES GPKP REDUCING VALVE SPECIFICATIONS

Valve shall be single stage, internal pilot operated with 100:1 rangeability. Valve body shall be cast iron and shall be renewable without removal from line. Seat ring shall be hardened stainless steel with fluorocarbon insert (1/2"-2") or stellite (2 1/2"-4"). Diaphragm shall be multiple leaf stainless steel rated for full travel. Valve shall have no stuffing box. Valve shall be warranted for three years.

## MATERIALS OF CONSTRUCTION

Body, Cast Iron.....ASTM A126 Cl. B  
 Trim, std. Steam.....  
 1/2"-2" Stainless Steel w/Resilient Insert  
 Buna-N  
 Stainless Steel w/Stellite®  
 Diaphragm, std. ....Spiroflex®



## VALVE DIMENSIONS inches (mm)

Size	125# THD.	A 250# Flange	All Flange	B All Bodies	C All Bodies	D All Bodies	E All Bodies
1/2	6 1/8	—	—	13 5/8	2 1/4	8 5/8	3 5/8
3/4	6 1/2	—	—	13 5/8	2 1/4	8 5/8	3 5/8
1	7 1/4	—	—	13 3/4	2 1/4	8 5/8	4
1 1/4	7 5/8	—	—	14	2 11/16	10 1/4	4
1 1/2	8 1/2	—	10 1/2	14 1/4	—	10 1/4	4 1/4
2	8 1/2	—	10 1/2	14 15/16	3 1/4*	10 1/4	4 3/8
2 1/2	—	10 7/8	11 1/2	15 3/4	5 1/2	16	5 3/8
3	—	11 3/4	12 1/2	16 1/2	6 1/4	16	6 3/16
4	—	13 7/8	14 1/2	17 7/8	7 15/16	16	7 1/2

## STANDARD SEAT VALVE WEIGHTS\* pounds (kg)

SIZE	Cl, Brz BODY*				CS, SS BODY*		
	NPT	125	250	300	NPT/SWE	150	300
1/2 (15)	46 (21)	—	—	52 (18)	50 (23)	—	—
3/4 (20)	47 (21)	—	—	53 (19)	51 (23)	—	—
1 (25)	48 (22)	—	—	55 (20)	52 (24)	60 (27)	60 (27)
1 1/4 (32)	54 (24)	—	—	62 (23)	—	—	—
1 1/2 (40)	78 (35)	—	86 (39)	87 (39)	82 (37)	92 (42)	92 (42)
2 (50)	90 (41)	99 (45)	99 (45)	99 (45)	95 (43)	107 (49)	107 (49)
2 1/2 (65)	—	207 (94)	207 (94)	207 (94)	—	—	—
3 (80)	—	264 (120)	264 (120)	264 (120)	—	279 (127)	279 (127)
4 (100)	—	307 (139)	307 (139)	307 (139)	—	347 (157)	347 (157)

\* Add 12 pounds to body weight for Internal or External Pilot Models. All weights are approximate.