

CUSTOMER INFORMATION

CUSTOMER: GP CONSUMER PRODUCTS
1919 SOUTH BROADWAY
GREEN BAY, WI 54304
USA

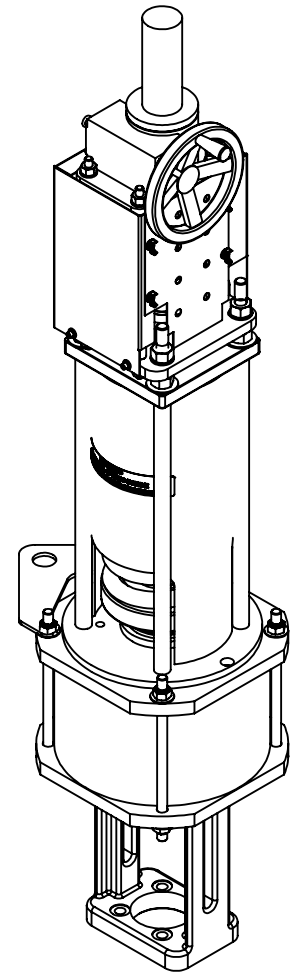
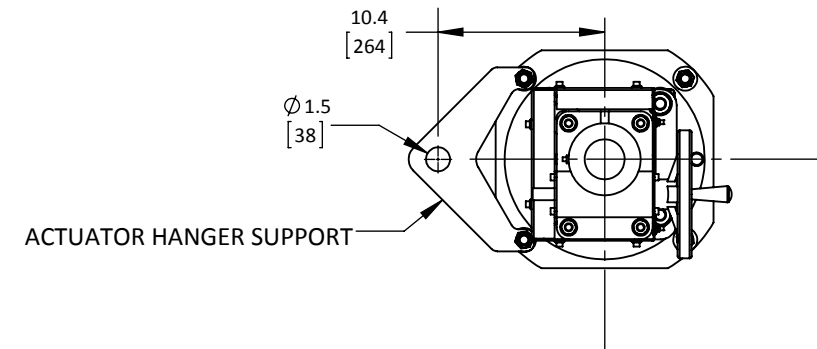
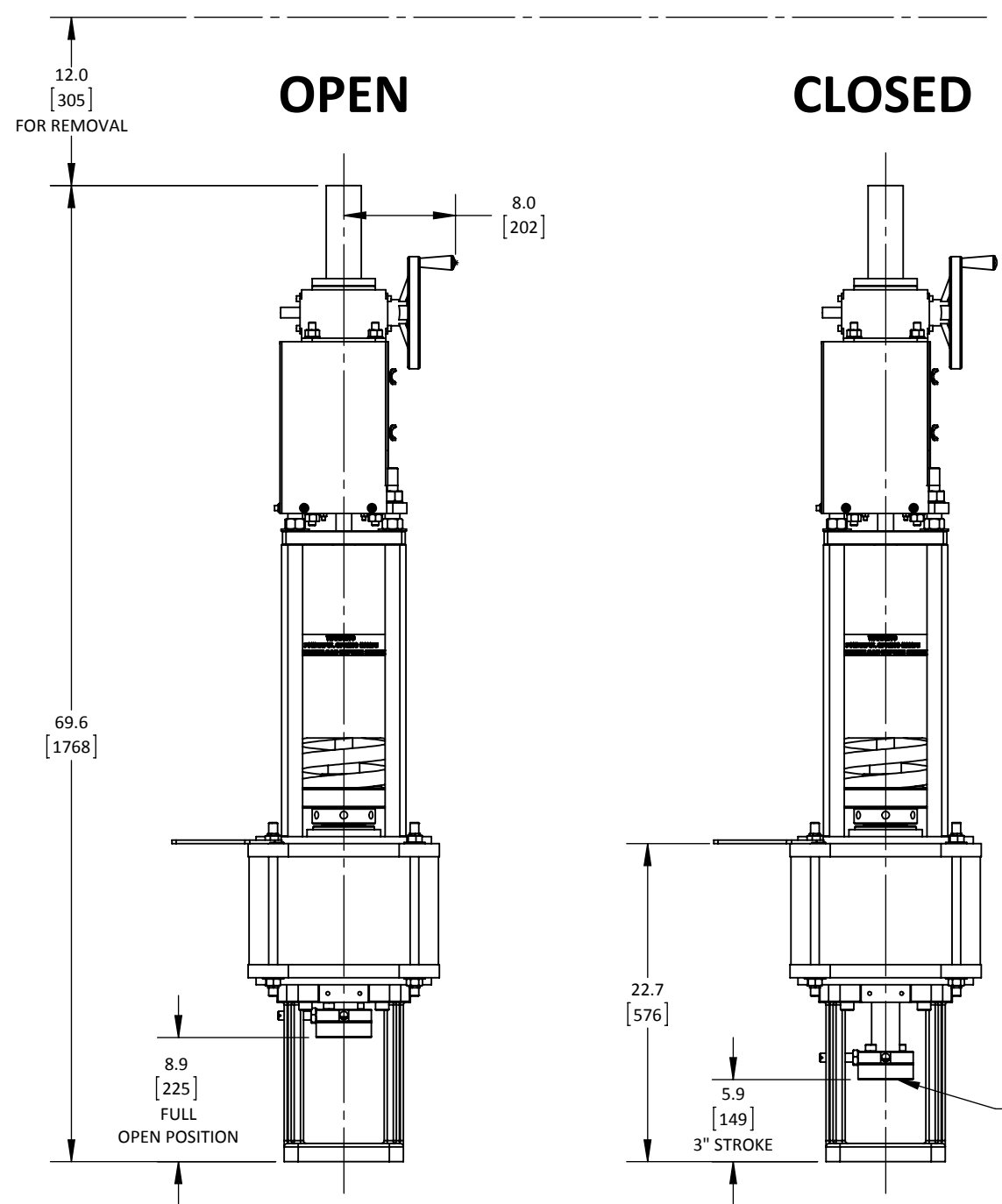
SITE / UNIT: -
SERVICE: -
TAG. NO.: -
P.O.: 21745

ACTUATOR INFORMATION

TYPE: PNEUMATIC PISTON
MODEL: LESLIE MAGNUM
SIZE: 13"
EFFECTIVE AREA: 130 SQ. IN.
FAILURE MODE: CLOSED
MINIMUM PRESSURE: 70 PSIG
MAXIMUM PRESSURE: 100 PSIG
FAIL POSITION: CLOSED

ACCESSORY INFORMATION

- SIEMENS PS2 POSITIONER
- LESLIE AFG-2 AIRSET
- 61VH VOLUME BOOSTER
- HOD
- SPRING HANGER



1-12 UNF-2B STEM CONNECTION
SEE NOTE 6

- NOTES:**
- ALL ACCESSORY MOUNTING ARE NON-MANDATORY AND NOT SHOWN
 - ALL DIMENSIONS IN INCHES[MILLIMETERS]
 - ALL TOLERANCES $\pm 0.5[12]$ UNLESS OTHERWISE NOTED
 - ACTUATOR IS CAPABLE OF 4" OF STROKE
 - WEIGHT: 450 LBS
 - SEE DWG 33376C FOR ADAPTER DIMENSIONS
 - SEE DWG 33065A FOR YOKE DIMENSIONS

Export License Type: BIS
ECCN: EAR99

REV.	DESCRIPTION	C. N.	DRAWNBY	APPROVED	DATE
A	INITIAL RELEASE	60997	PMW	RXS	20170118

<p>THIS DRAWING IS THE PROPERTY OF LESLIE CO. IT CONTAINS INFORMATION PROPRIETARY TO LESLIE CO. AND IS ISSUED FOR A PARTICULAR LIMITED PURPOSE ONLY. WHEN THE PURPOSE FOR WHICH IT HAS BEEN ISSUED HAS BEEN FULFILLED OR UPON DEMAND, THIS DRAWING MUST BE RETURNED TO LESLIE CO. DRAWINGS MAY BE RETAINED ONLY WITH EXPRESS WRITTEN CONSENT. REPRODUCTION OF THIS DRAWING UNDER ANY CONDITIONS IS EXPRESSLY FORBIDDEN.</p>	<p>3rd ANGLE PROJECTION</p>	<p>UNLESS OTHERWISE SPECIFIED</p> <p>DIMENSIONS ARE IN INCHES [MILLIMETERS]</p> <p>FILLETS ARE .005" TO .015"</p> <p>BREAK ALL EDGES .02" MAX</p> <p>ALL PARTS CLEAN AND FREE OF BURRS</p> <p>SURFACE TEXTURE FINISHES ARE TO BE \sqrt{R}</p>	<p>TITLE</p> <p>13" MAGNUM SASR ACTUATOR W/ HOD</p>	<p>CONTROLS TAMPA FLORIDA</p>																		
					<p>DO NOT SCALE</p> <p>DIMENSIONS AND TOLERANCES PER ASME Y14.5-2009</p>	<p>DIMENSIONAL TOLERANCES</p> <table border="1"> <tr> <td></td> <td>UNDER 6"</td> <td>6"-18"</td> <td>OVER 18"</td> </tr> <tr> <td>2 PLACE DECIMAL</td> <td>$\pm .01"$</td> <td>$\pm .02"$</td> <td>$\pm .04"$</td> </tr> <tr> <td>3 PLACE DECIMAL</td> <td>$\pm .005"$</td> <td>$\pm .010"$</td> <td>$\pm .020"$</td> </tr> <tr> <td>FRACTIONAL</td> <td>$\pm 1/64"$</td> <td>$\pm 1/32"$</td> <td>$\pm 1/16"$</td> </tr> <tr> <td>ALL ANGLES</td> <td colspan="3">+/- 1/2 DEGREE</td> </tr> </table>		UNDER 6"	6"-18"	OVER 18"	2 PLACE DECIMAL	$\pm .01"$	$\pm .02"$	$\pm .04"$	3 PLACE DECIMAL	$\pm .005"$	$\pm .010"$	$\pm .020"$	FRACTIONAL	$\pm 1/64"$	$\pm 1/32"$	$\pm 1/16"$
	UNDER 6"	6"-18"	OVER 18"																			
2 PLACE DECIMAL	$\pm .01"$	$\pm .02"$	$\pm .04"$																			
3 PLACE DECIMAL	$\pm .005"$	$\pm .010"$	$\pm .020"$																			
FRACTIONAL	$\pm 1/64"$	$\pm 1/32"$	$\pm 1/16"$																			
ALL ANGLES	+/- 1/2 DEGREE																					
<p>SHEET 1 OF 2</p>			<p>REV. A</p>																			

